
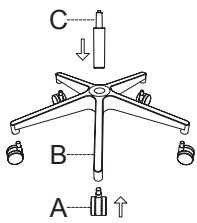
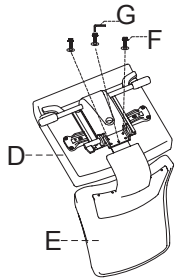
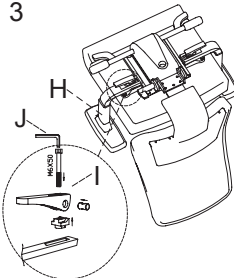




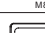

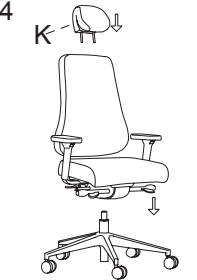


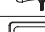




Quickguide

Let`s get started!

BONO Office Chair

Part	Picture	Qty.	12		3
A		5			
B		1			
C		1			
D		1			
E		1			
F		3			
G		1			
H		2			
I		2			
J		1			
K		1			

Dear customer

Thank you for choosing BONO Office Chair

Scan the QR code to access for explanatory installation manual in your language



Headrest adjustment

To adjust the headrest height, liftup the headrest (1) to desired position.
To adjust the headrest angle, turn the headrest directly to desired angle.

Back height adjustment

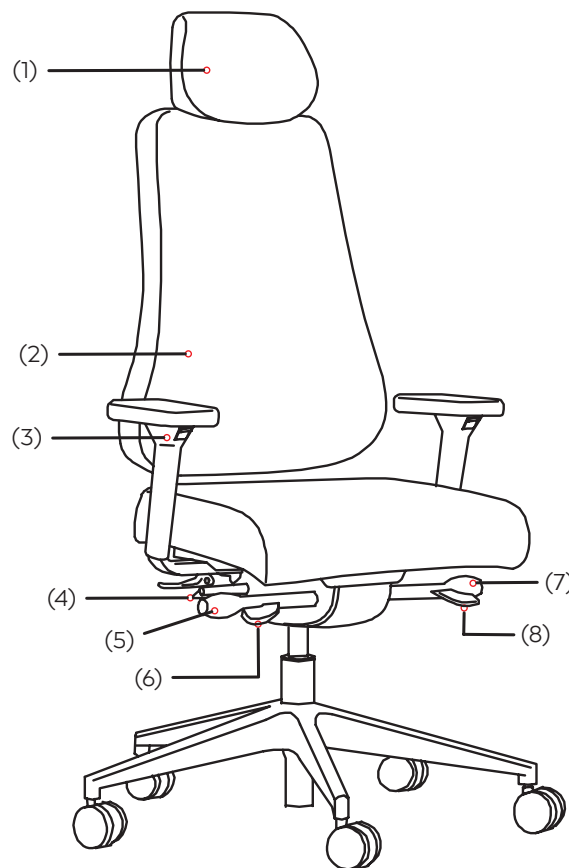
To change the back height (2), lift up the back by putting your force at the bottom of the back, then adjust the back height step by step. Only the back reach the highest position, then can pull down the back to the first position (lowest position)

Armrest adjustment (3)

To rise up or lower down the armrest, pull up the button under the armrest top and move up or down. To move the arm top position, push the top forward or pull backward. To adjust the arm width, push down the lever (bottom side) to unlock the arm, pull or push the arm to desired position, then pull up the lever to lock.

Seat angle adjustment (forward tilt)

To adjust the seat angle, turn the seat angle adjustment handle (4) clockwise to lift up the seat-end up till it lock.
Turn anticlockwise the handle to go back to original position.



Tilt tension adjustment

To adjust the seat tilt tension, turn the tension adjustment knob (5) on the mechanism to desired tension, turn clockwise or anticlockwise. Clockwise to stronger and anticlockwise to weaker.

Seat height adjustment

To raise the seat height, remove weight from the seat and pull up on the height adjustment lever (6), release the lever when reaching the desired position. To lower the seat height, while seated, pull up slowly on the height adjustment lever until the seat is at the desired height.

Backrest angle adjustment (tilt/swing lock)

To change backrest's position, turn clockwise the adjustment lever (7), then lie backwards the backrest to desired position, and turn anticlockwise the adjustment lever to lock. To go back to the first position, turn clockwise the adjustment lever to unlock, lie backward again, then backrest will return automatically.

Seat depth adjustment

To enlarge the seat depth, pull up the slider lever (8) and move forward to desired position, then release the lever. To go back to the first position, pull up the slider lever and remove body weight from the seat, then the seat will go back automatically.